



## CAVO round/square

recessed

**EN** Recessed housing made of pressed steel sheet for flush installation in plasterboard ceilings, underside of aluminium-reinforced plaster; alternatively with round or square cut-out; no break-out of edges; 3 cylindrical spotlight heads can be installed without tools by means of magnetic holders; simple electrical connection of the spotlights due to non-reversible plug and play connection; housing and spotlights powder coated; optionally: indirect light component in housing; COB (Chip on Board) technology for maximum efficiency; no multiple shadows; efficient LEDs with very good colour rendering; good glare reduction due to recessed light point plane; high quality lens system; precise radiation characteristic; optical attachments as accessories; hot plug protection

**DE** Einbaugehäuse aus Stahlblech für randlosen Einbau in Gipskartondecken, Unterseite aus aluminiumverstärktem Gips; wahlweise mit rundem oder quadratischem Ausschnitt; kein Ausbrechen der Kanten; 3 zylindrische Strahlerköpfe mittels Magnethalter werkzeuglos einsetzbar; einfacher elektrischer Anschluss der Strahler durch verpolungssichere Plug & Play Verbindung; Gehäuse und Strahler pulverbeschichtet; optional: Indirektlichtanteil im Gehäuse; COB (Chip on Board) Technologie für höchste Effizienz; keine Mehrfachschatten; effiziente LEDs mit sehr guter Farbwiedergabe; gute Entblendung durch zurückversetzte Lichtpunktebene; hochwertige Linsensystem; präzise Abstrahlcharakteristik; optische Aufsätze als Zubehör; Hot Plug-Schutz

### Quickinfo

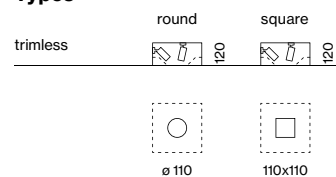
2700 K, 3000 K  
CRI ≥ 90, 2 SDCM  
DALI-2

L80 @ 50 000 h  
mounting housing with glowing

L90 @ 50 000 h  
JUST 45 up to 69 lm/W

L95 @ 50 000 h  
JUST 32 focus up to 3×54 lm/W

### Types



### Housing colours



### Inset colours



### Light distributions



magnetic holders for  
tool-free mounting



optical  
accessories

### Order options

<b>COLOUR TEMPERATURE</b>	☼☼
2700K	4
3000K	5

<b>CONTROL</b>	
DALI-2	

<b>INSET COLOUR</b>	☑
○ traffic white RAL 9016	7
● jet black RAL 9005	8
● gold dust RAL 260-M	9

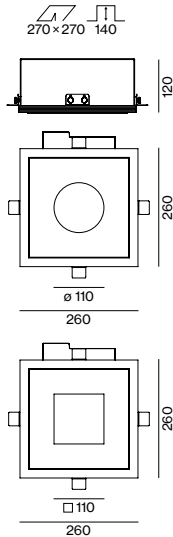
<b>HOUSING COLOUR</b>	■
○ traffic white RAL 9016	7
● jet black RAL 9005	8

<b>BEAM ANGLE</b>	▲
medium 23°	M
flood 44°	F

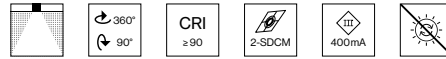
### Options on request

#### OPTICAL ACCESSORIES

- elliptical sculpture foil
  - snoot
  - colour filter (red, blue, green, etc.)
- only for JUST 32 focus



### JUST 32 focus 17–43°



#### SPOTLIGHT

<b>INSET POWER</b>	<b>LUMINOUS FLUX</b>	<b>ORDER CODE</b>
4.6 W	250 lm	0 4 9 - 8 2 1 1 ☼☼ ☑▲
not for single use		

### JUST 45



#### SPOTLIGHT

<b>INSET POWER</b>	<b>LUMINOUS FLUX</b>	<b>ORDER CODE</b>
8.8 W	640 lm	0 4 9 - 8 3 0 2 ☼☼ ☑▲

### Mounting accessories

#### MOUNTING HOUSING 1 DALI-2 address

for trimless installation in plasterboard ceilings 8-25 mm

<b>TYPE</b>	<b>L-W-H (mm)</b>	<b>ORDER CODE</b>
round   3 spots (▲ 4.5 kg)	260:260:120	0 4 9 - 8 8 0 3 0 3 ■
square   3 spots (▲ 4.5 kg)	260:260:120	0 4 9 - 8 8 1 3 0 3 ■

incl. power supply 220–240 V AC, 50–60 Hz, ⚡ PC I, ENEC approved

#### MOUNTING HOUSING WITH GLOWING (3000 K) 2 DALI-2 addresses

for trimless installation in plasterboard ceilings 8-25 mm

<b>TYPE</b>	<b>L-W-H (mm)</b>	<b>ORDER CODE</b>
round   3 spots (▲ 4.5 kg)	260:260:120	0 4 9 - 8 8 2 3 5 3 7
square   3 spots (▲ 4.5 kg)	260:260:120	0 4 9 - 8 8 3 3 5 3 7

incl. power supply 220–240 V AC, 50–60 Hz, ⚡ PC I, ENEC approved

### Optical accessories

#### HONEYCOMB LOUVER

<b>TYPE</b>	<b>Ø-H (mm)</b>	<b>ORDER CODE</b>
JUST 32 focus	30-4	0 0 7 - 1 9 6 5 1 7 8
JUST 45	42-3	0 0 7 - 1 9 6 5 1 8 8

**INSET POWER** is the current consumption excluding any ballast  
**LUMINOUS FLUX** value calculated for 3000K, CRI ≥ 90, colour white, lens medium 2700K -5%



## CAVO linear

recessed

**EN** Installation housing in pressed steel sheet with rectangular cut-out; for trimless installation in plasterboard ceilings; special edge design with perforations for better adhesion of filler; or with trim; 3 or 6 cylindrical spotlight heads can be installed without tools by means of magnetic holders; simple electrical connection of the spotlights due to non-reversible plug and play connection; housing and spotlights powder coated; COB (Chip on Board) technology for maximum efficiency; no multiple shadows; efficient LEDs with very good colour rendering; good glare reduction due to recessed light point plane; high quality lens system; precise radiation characteristic; optical attachments as accessories; hot plug protection

**DE** Einbaugehäuse aus Stahlblech mit rechteckigem Ausschnitt; für randlosen Einbau in Gipskartondecken; spezielle Randausbildung mit Löchern für bessere Haftung der Spachtelmasse; oder mit umlaufendem Rand; 3 bzw. 6 zylindrische Strahlerköpfe mittels Magnethalter werkzeuglos einsetzbar; einfacher elektrischer Anschluss der Strahler durch verpolungssichere Plug & Play Verbindung; Gehäuse und Strahler pulverbeschichtet; COB (Chip on Board) Technologie für höchste Effizienz; keine Mehrfachschatten; effiziente LEDs mit sehr guter Farbwiedergabe; gute Entblendung durch zurückversetzte Lichtpunktebene; hochwertige Linsenoptik; präzise Abstrahlcharakteristik; optische Aufsätze als Zubehör; Hot Plug-Schutz

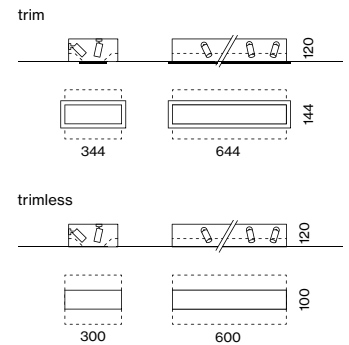
### Quickinfo

2700 K, 3000 K  
CRI ≥ 90, 2 SDCM  
DALI-2

L90 @ 50 000 h  
JUST 45 up to 6×69 lm/W

L95 @ 50 000 h  
JUST 32 focus up to 6×54 lm/W

### Types



### Housing colours



### Inset colours



### Light distributions



magnetic holders for  
tool-free mounting



optical  
accessories

## Order options

<b>COLOUR TEMPERATURE</b>	☼☼
2700K	4
3000K	5

<b>CONTROL</b>	
DALI-2	

<b>INSET COLOUR</b>	☑
○ traffic white RAL 9016	7
● jet black RAL 9005	8
● gold dust RAL 260-M	9

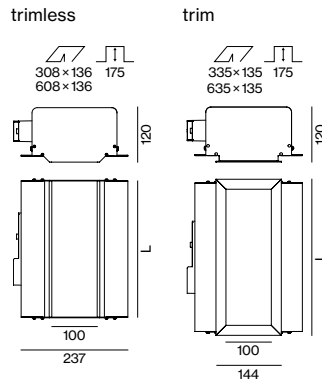
<b>HOUSING COLOUR</b>	■
○ traffic white RAL 9016	7
● jet black RAL 9005	8

<b>BEAM ANGLE</b>	▲
medium 23°	M
flood 44°	F

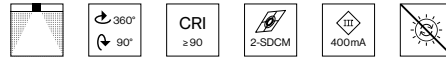
## Options on request

### OPTICAL ACCESSORIES

elliptical sculpture foil  
 snoot  
 colour filter (red, blue, green, etc.)  
 only for JUST 32 focus



## JUST 32 focus 17–43°

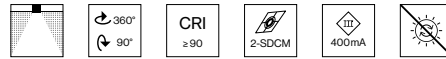


### SPOTLIGHT

<b>INSET POWER</b>	<b>LUMINOUS FLUX</b>	<b>ORDER CODE</b>
4.6 W	250 lm	0 4 9 - 8 2 1 1 ☼☼ ☑▲
not for single use		



## JUST 45



### SPOTLIGHT

<b>INSET POWER</b>	<b>LUMINOUS FLUX</b>	<b>ORDER CODE</b>
8.8 W	640 lm	0 4 9 - 8 3 0 2 ☼☼ ☑▲

## Mounting accessories

### TRIMLESS MOUNTING HOUSING

for trimless installation in plasterboard ceilings 12.5 mm

<b>TYPE</b>	<b>L-W-H (mm)</b>	<b>ORDER CODE</b>
for 3 spots (▲ 2.4 kg), 1 DALI	308-252-120	0 4 9 - 8 8 4 3 0 3 ■
for 6 spots (▲ 3.6 kg), 2 DALI	608-269-120	0 4 9 - 8 8 4 6 0 3 ■

incl. power supply 220–240 V AC, 50–60 Hz, ⚡ PC I, ENEC approved

### MOUNTING HOUSING WITH TRIM

for intermediate ceilings 12.5 mm

<b>TYPE</b>	<b>L-W-H (mm)</b>	<b>ORDER CODE</b>
for 3 spots (▲ 2.7 kg), 1 DALI	344-254-120	0 4 9 - 8 8 5 3 0 3 ■
for 6 spots (▲ 4.7 kg), 2 DALI	644-271-120	0 4 9 - 8 8 5 6 0 3 ■

incl. power supply 220–240 V AC, 50–60 Hz, ⚡ PC I, ENEC approved

## Optical accessories

### HONEYCOMB LOUVER

<b>TYPE</b>	<b>Ø-H (mm)</b>	<b>ORDER CODE</b>
JUST 32 focus	30-4	0 0 7 - 1 9 6 5 1 7 8
JUST 45	42-3	0 0 7 - 1 9 6 5 1 8 8

**INSET POWER** is the current consumption excluding any ballast  
**LUMINOUS FLUX** value calculated for 3000K, CRI ≥ 90, colour white, lens medium 2700K -5%